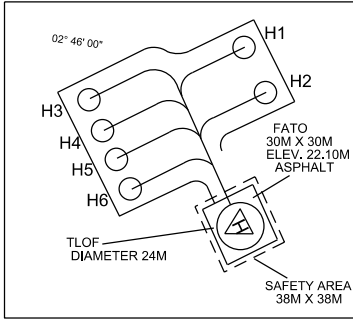


**TAXI ROUTE CODE F -
DEPARTURE RUNWAY 33**

APRON ELEV	RWY 14L/32R	RWY 14R/32L	RWY 15/33	GROUND	GROUND
EAST 19 M	TWR 118.800	TWR 118.500	TWR 119.800	122.150	121.725
WEST 10 M	GND 121.650	GND 121.800	GND 118.050	122.850	122.550
		GND 122.525		122.275	130.750
				123.250	

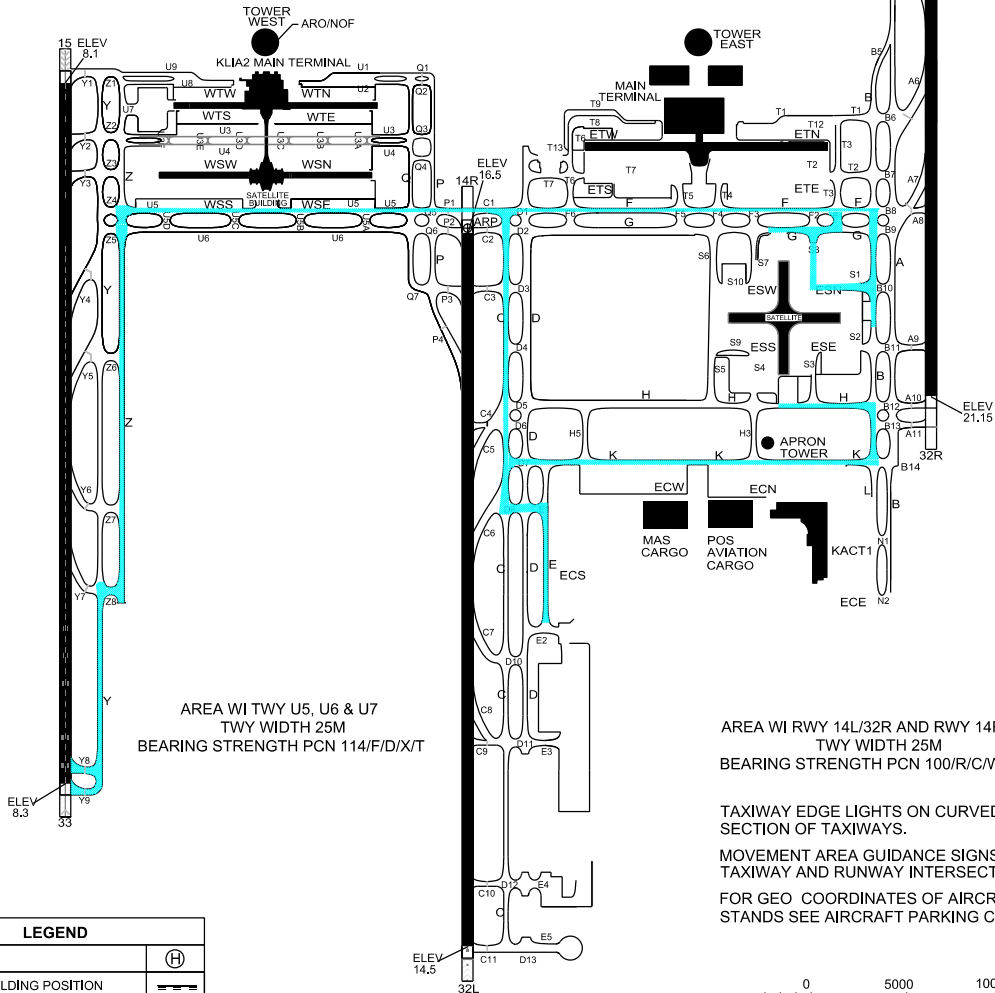
**SEPANG/
KL INTERNATIONAL
AIRPORT**



HELIPAD

ELEVATIONS IN METRES
BEARINGS ARE MAGNETIC

ANNUAL RATE OF CHANGE
32"E



AREA WI TWY U5, U6 & U7
TWY WIDTH 25M
BEARING STRENGTH PCN 114/F/D/X/T

AREA WI RWY 14L/32R AND RWY 14R/32L
TWY WIDTH 25M
BEARING STRENGTH PCN 100/R/C/W/T

TAXIWAY EDGE LIGHTS ON CURVED
SECTION OF TAXIWAYS.
MOVEMENT AREA GUIDANCE SIGNS AT ALL
TAXIWAY AND RUNWAY INTERSECTIONS.
FOR GEO COORDINATES OF AIRCRAFT
STANDS SEE AIRCRAFT PARKING CHART.

LEGEND	
HELIPAD	(H)
RUNWAY-HOLDING POSITION	=====
INTERMEDIATE HOLDING POSITION	-----

